



# 4" TRAPEZOID STEP BAR

Assembly, Installation, Operation,  
and Maintenance Instructions

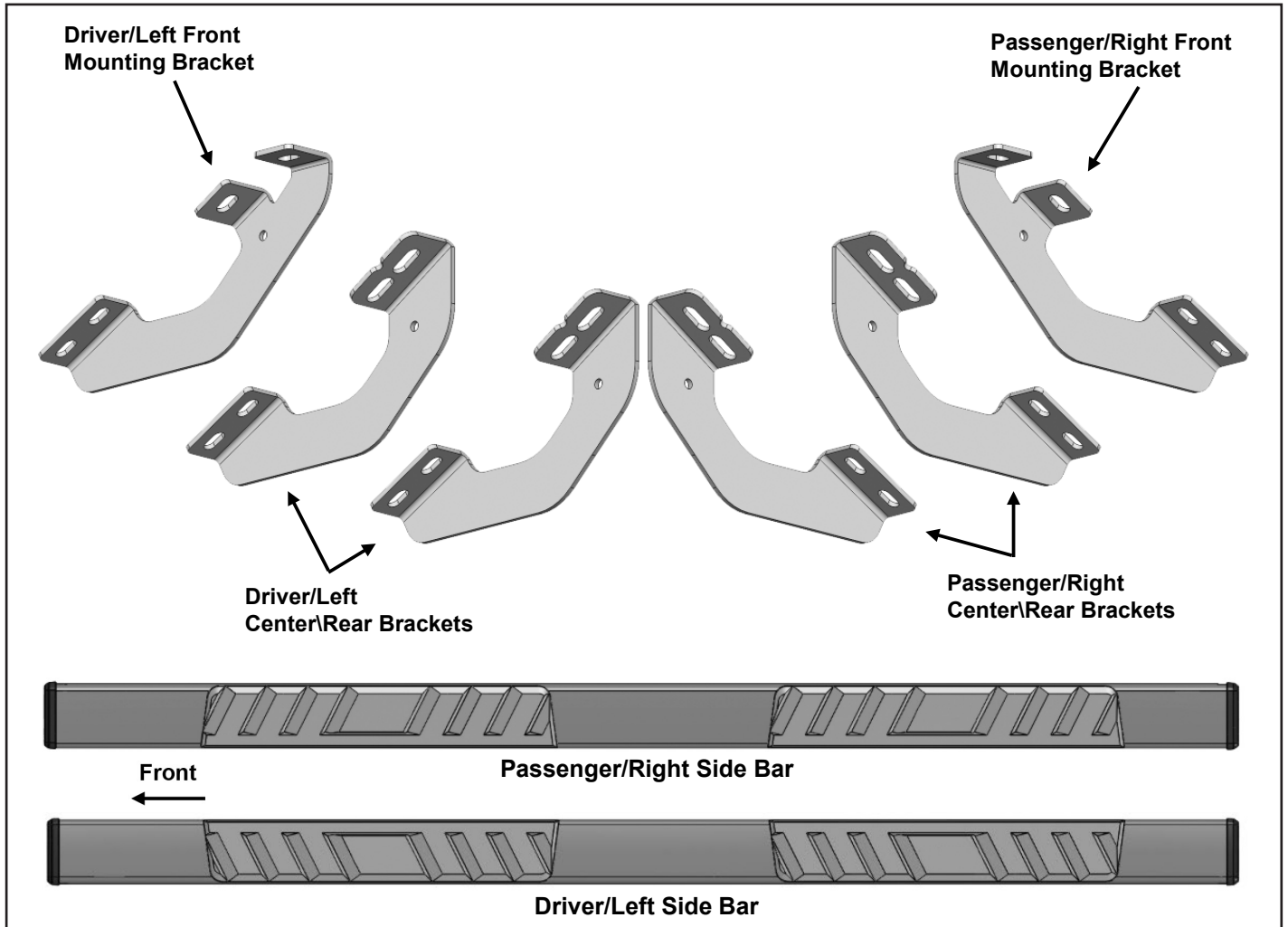
<b>PART NUMBER</b>	<b>A4023B/S</b>
<b>INSTALL TIME</b>	<b>120 MINUTES</b>

## 2024 TOYOTA TACOMA DOUBLE CAB

<b>DEALER / INSTALLER</b>	Provide a copy of these instructions to the end user of this product. These instructions provide important operating and safety information for proper usage of this product. Demonstrate the proper use of the product with the end user. Have the end user demonstrate that they understand the proper use of the product.
<b>END USER</b>	Read and follow all instructions included in this manual. Ask your Dealer/Installer for assistance if you do not understand the proper use of the product. Never remove any decals from the product. Failure to follow these instructions can result in injury or death.

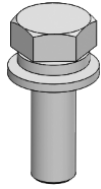
### PACKAGE CONTENTS

DRIVER/LEFT SIDE BAR	1	PASSENGER/RIGHT CENTER/REAR BRACKETS	2
PASSENGER/RIGHT SIDE BAR	1	8mm LOCK WASHERS	12
DRIVER/LEFT FRONT BRACKET	1	8mm X 24mm X 2mm FLAT WASHERS	12
PASSENGER/RIGHT FRONT BRACKET	1	8-1.25mm X 25mm COMBO BOLTS	12
DRIVER/LEFT CENTER/REAR BRACKETS	2	8-1.25mm X 30mm HEX BOLTS	12





Hex Bolt



Combo Bolt



Lock Washer



Flat Washer

**TOOLS REQUIRED**



Ratchet



13mm Socket



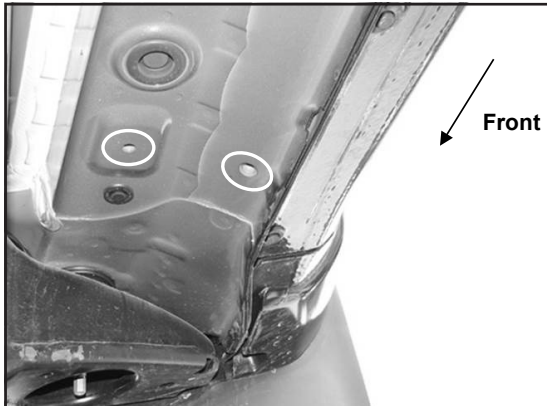
Extensions



Wrench

# PROCEDURE

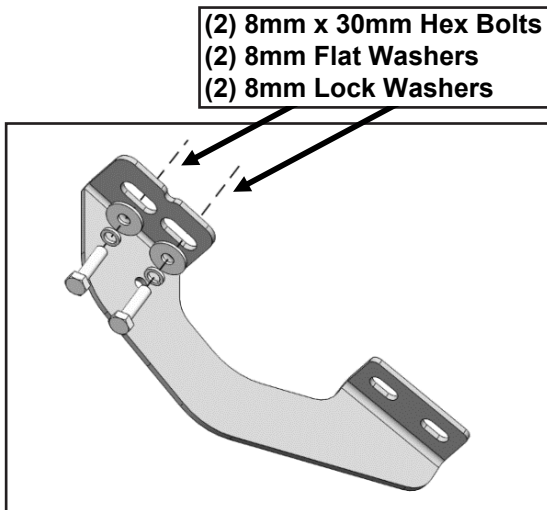
Follow **(Figures 1-9)** to attach the brackets to the Passenger Side. Repeat the following steps on the Driver Side. Ensure fasteners are only hand tight at this point.



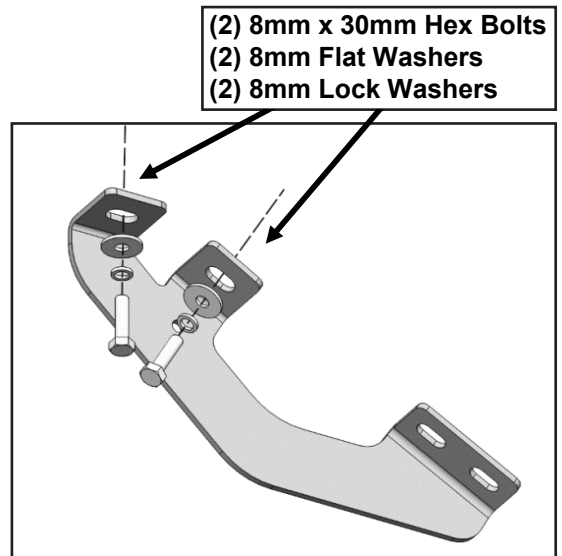
**(Figure 1) Attach Passenger/Right Front Mounting Bracket to Passenger/Right Front mounting location using threaded inserts.**



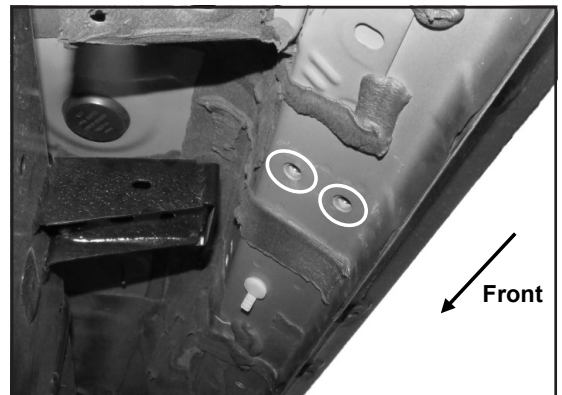
**(Figure 3) Attached Passenger/Right Front Mounting Bracket.**



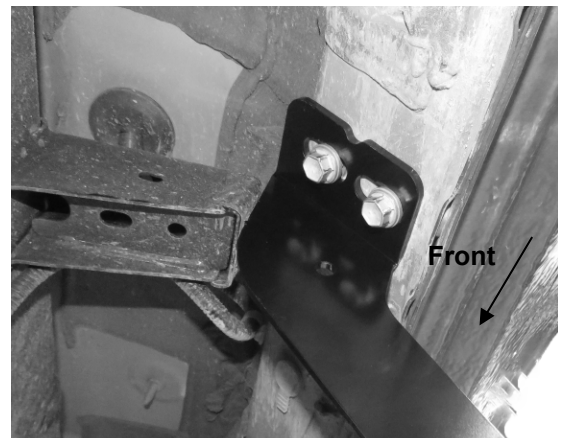
**(Figure 5) Attach Passenger/Right Center/Rear Mounting Bracket.**



**(Figure 2) Attach Passenger/Right Front Mounting Bracket.**

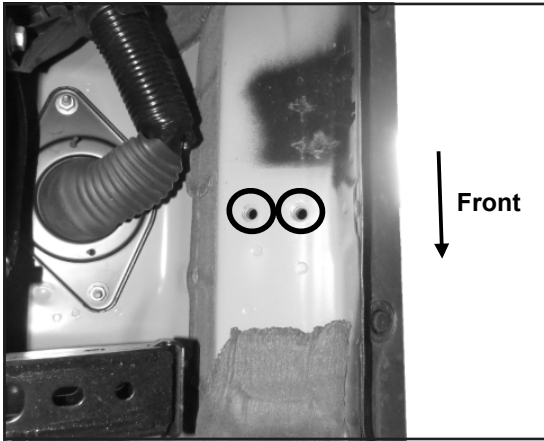


**(Figure 4) Attach Passenger/Right Center/Rear Mounting Bracket to Passenger/Right Center mounting location using threaded inserts.**



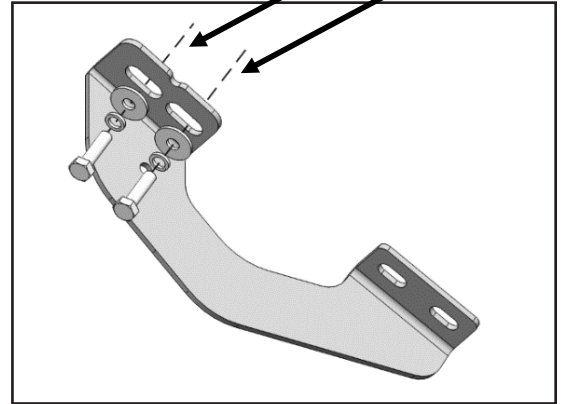
**(Figure 6) Attached Passenger/Right Center Mounting Bracket.**

# PROCEDURE (CONTINUED)



(Figure 7) Attach Passenger/Right Center/Rear Mounting Bracket to Passenger/Right Rear mounting location using threaded inserts.

- (2) 8mm x 30mm Hex Bolts
- (2) 8mm Flat Washers
- (2) 8mm Lock Washers



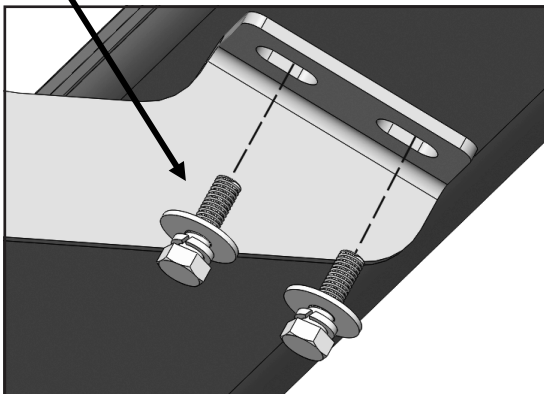
(Figure 8) Attach Passenger/Right Center/Rear Mounting Bracket.



(Figure 9) Attached Passenger/Right Rear Mounting Bracket.

Follow (Figures 10-11) to attach the Passenger Side Step to Passenger Mounting Brackets. Repeat the following steps on the Driver Side. Ensure fasteners are only hand tight at this point.

- (2) 8mm Combo Bolts



(Figure 10) Attach Passenger/Right Side Step to all Passenger/Right Mounting Brackets.



(Figure 11) Passenger/Right Main Tube attached to Mounting Bracket.

## PROCEDURE (CONTINUED)

Level and straighten Side Step, then tighten all fasteners. At this point, installation is complete. Do periodic inspections of the installation to make sure that all hardware is secure and tight.



**Completed Installation.**

## PRODUCT CARE

- Periodically check the product to ensure all fasteners are tight and components are intact.
- Regular waxing is recommended to protect the finish of the product.
- Use ONLY Non-Abrasive automotive wax. Use of any soap, polish or wax that contains an abrasive is detrimental and can scratch the finish leading to corrosion.
- Aluminum polish may be used to polish small scratches and scuffs for Stainless Steel finish.
- Mild soap may be used to clean the product for both Stainless Steel and Black finish.

## FAQs

<b>Hardware and mounting brackets are not aligning properly.</b>	Ensure that hardware is being used on the correct side of vehicle. In some cases, the hardware may appear the same for driver and passenger side but may alter the alignment of mounting location. Check mounting brackets for both sides.
<b>Products are thumping / rattling after Installation.</b>	Ensure that all required mounting brackets/hardware's are installed & tightened correctly. Suggest using white Lithium/regular grease between metal-to-metal contact.
<b>Missing / Excess Hardware.</b>	Recheck hardware count as per the part list.
<b>Product not installing properly.</b>	Ensure the Year/Make/Model as well as cab and bed dimensions are correct for the application. Review all steps for installation to ensure they were followed correctly.
<b>Who should be contacted for questions regarding product / installation assistance?</b>	<a href="http://www.trailfx.com">www.trailfx.com</a> / <a href="mailto:support@trailfx.com">support@trailfx.com</a> or 1-(866) 638-4870

## **WARRANTY TERMS**

**Black Powder Coated: 3 Year Limited Warranty**  
**Stainless Steel Polished: Limited Lifetime Warranty**

TrailFX and Keystone Automotive Operations Inc. make no guarantees or warranties for products not manufactured by Keystone Automotive Operations Inc. Such products are covered solely under any applicable warranty of the manufacturer. It is always recommended that the operating instructions and warranty instructions provided by the manufacturer are followed.

Keystone Automotive Operations Inc. warrants its products to be free from manufacturing and material defects to the original purchaser for the length of warranty stated above from the date of retail purchase. If any products are found to have a manufacturing or material defect, the product will be replaced or repaired at the option of TrailFX and Keystone Automotive Operations Inc. with proof of purchase by the original purchaser. The original purchaser shall pay all transportation and shipping costs associated with the return of the defective product and the defective product shall become the property of Keystone Automotive Operations Inc.

This Warranty applies to Keystone Automotive Operations Inc. products used for individual and recreational purposes. Commercial usage of the Keystone Automotive Operations Inc. products limits the warranty to 90 days from the date of purchase.

This Warranty applies only to Keystone Automotive Operations Inc. products which are found to be defective in manufacturing or material. This warranty does not apply to normal wear and tear of the finish placed on Keystone Automotive Operations Inc. products.

TrailFX and Keystone Automotive Operations Inc. are not responsible for any labor costs incurred for removal or replacement of the defective product.

TrailFX and Keystone Automotive Operations Inc. are not responsible for repair or replacement of any product under the limited warranty where the product was improperly installed, misapplied, altered, abused, neglected, overloaded, misused, or damaged as a result of an accident, including any use of the product not in accordance with all products operating and safety instructions.

Without limiting the generality of the foregoing, TrailFX and Keystone Automotive Operations Inc. shall under no circumstances be liable for any incidental or consequential loss or damage whatsoever arising out of, or in any way relating to any such breach of warranty or claimed defect in, or non-performance of the products. Some states do not allow the exclusion or limitation of incidental or consequential damages, so the above exclusion or limitation may not apply to you.

This limited warranty gives you specific legal rights, and you may also have other rights that vary from state to state.

## **CONTACT US**

**WEBSITE:** [TrailFX.com](http://TrailFX.com)

**PHONE:** 1-866-638-4870

**EMAIL:** [support@trailfx.com](mailto:support@trailfx.com)